

Anchor head, TY 1270-008-75212412-16

AH-III-40

AH-III-52

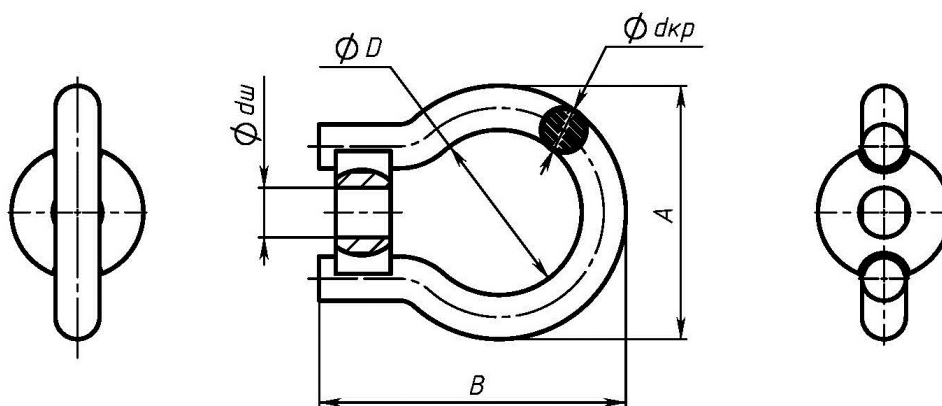
AH-III-72



SPECIFICATIONS:

Mechanical parameters

Designation	Working load, kN	Breaking load, kN
AO-III-40	680	930
AO-III-52	1080	1450
AO-III-72	1600	2090



Designation	d_w [mm]	A [mm]	B [mm]	D [mm]	d_{kp} [mm]	weight [kg]
AH-III-40	45	200	250	140	30	7
AH-III-52	60	240	310	160	40	13
AH-III-72	80	300	390	200	50	26